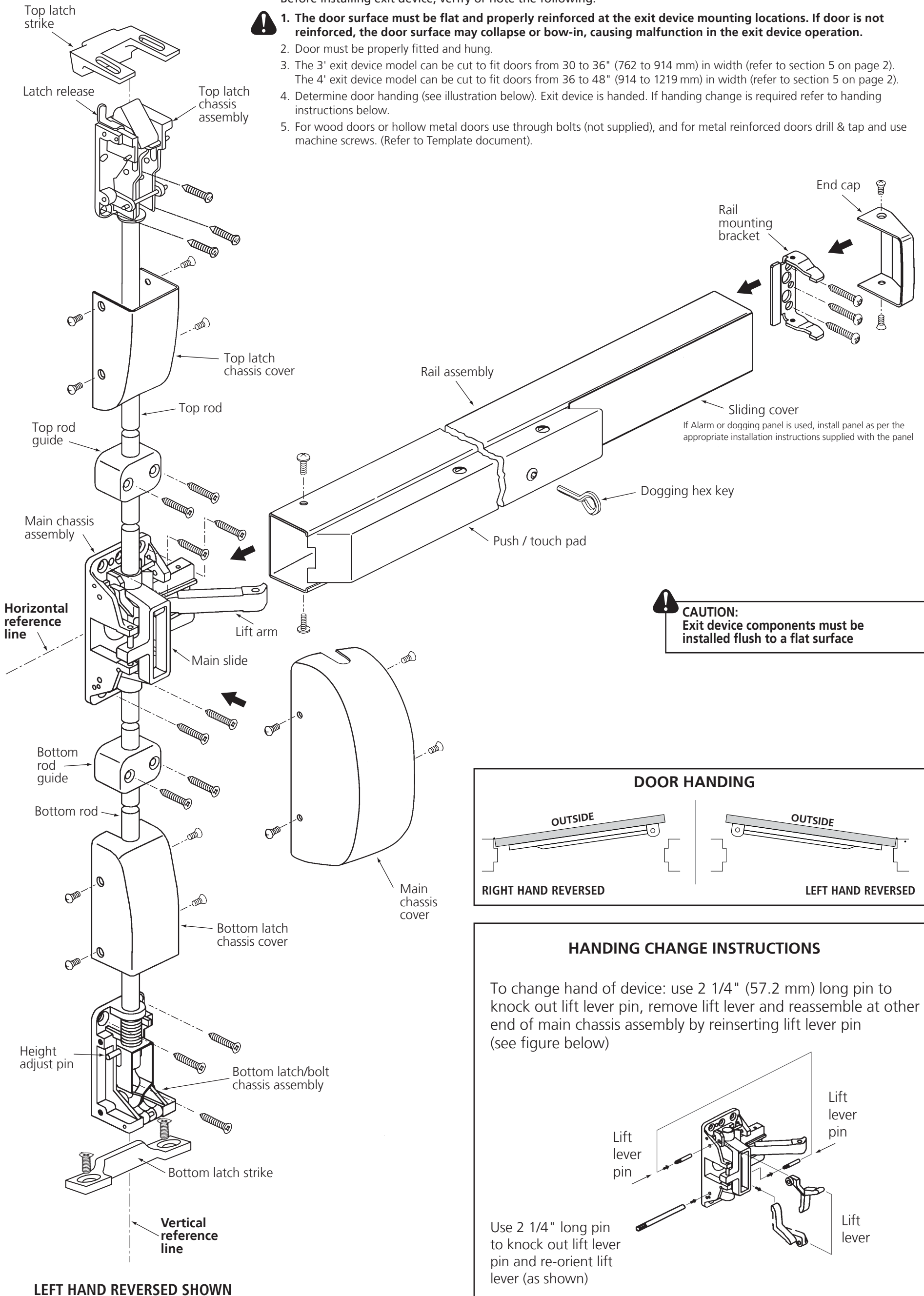


**GENERAL NOTES**

Before installing exit device, verify or note the following:

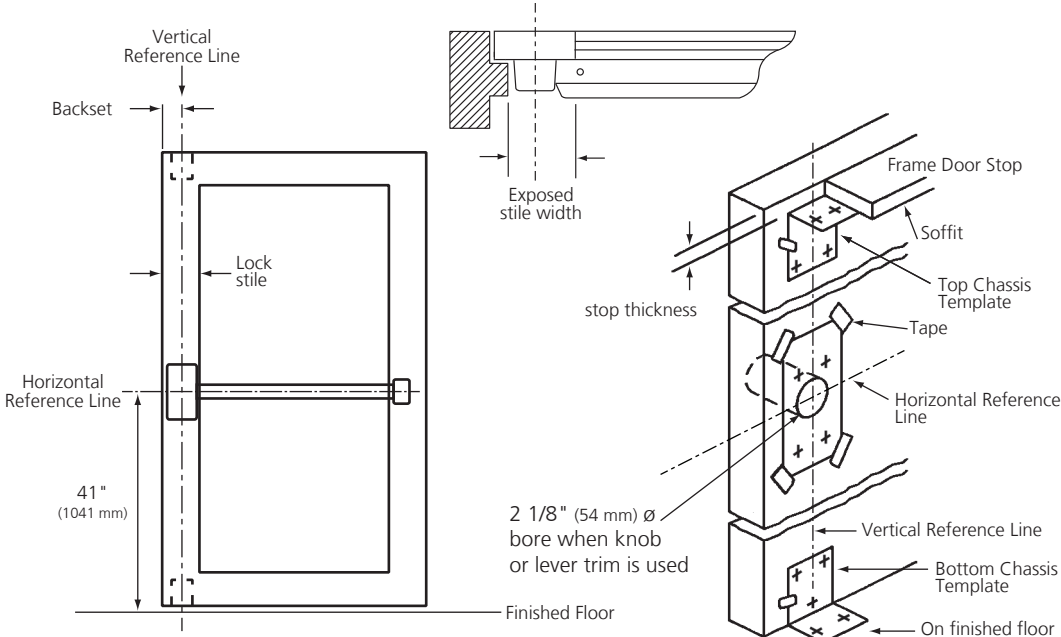
- 1. **The door surface must be flat and properly reinforced at the exit device mounting locations. If door is not reinforced, the door surface may collapse or bow-in, causing malfunction in the exit device operation.**
- 2. Door must be properly fitted and hung.
- 3. The 3' exit device model can be cut to fit doors from 30 to 36" (762 to 914 mm) in width (refer to section 5 on page 2). The 4' exit device model can be cut to fit doors from 36 to 48" (914 to 1219 mm) in width (refer to section 5 on page 2).
- 4. Determine door handing (see illustration below). Exit device is handed. If handing change is required refer to handing instructions below.
- 5. For wood doors or hollow metal doors use through bolts (not supplied), and for metal reinforced doors drill & tap and use machine screws. (Refer to Template document).



**LEFT HAND REVERSED SHOWN**

**1. MARK VERTICAL AND HORIZONTAL REFERENCE LINES ON DOOR**

- Determine the backset based on door lock stile width, and locate the vertical reference line.
- If lock stile is 4 1/2" (114.3 mm) wide or wider, use 2 3/4" (69.9 mm) backset.
  - If lock stile is less than 4 1/2" (114.3 mm) wide, place the backset at 1/2 of the exposed lock stile width.



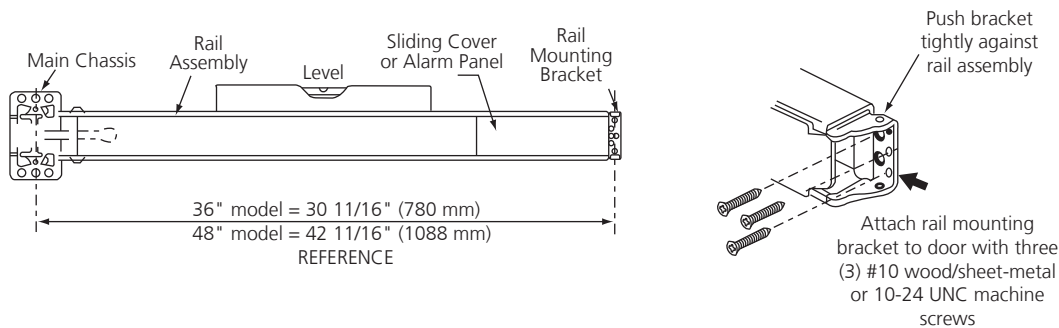
**2. DOOR PREPARATION AND EXIT DEVICE INSTALLATION**

**a. Prepare Door, Frame and Floor**

- It is recommended to reinforce the door at the exit device mounting locations and make all required cutouts and holes larger than 1" (25.4 mm) diameter at the door fabrication shop using dimensions provided in the installation templates.
- Otherwise, mark the vertical and horizontal reference lines on the door interior surface of the door using provided dimensions.
- Main Chassis:
  - Position main template on interior door surface by aligning the vertical and horizontal lines and mark the four (4) main chassis mounting holes.
  - Drill all main chassis mounting holes as per supplied template instructions.
  - If a trim is used, use also the appropriate trim installation template (refer to section 4).
- Top Latch Chassis and Strike:
  - Position top latch template on interior door surface by aligning the vertical reference line at the indicated dimension from the frame soffit and mark the three (3) top latch chassis mounting holes on the door and two (2) holes on the frame soffit for the strike
  - Drill all top latch chassis and strike mounting holes as per supplied template instructions.
- Bottom Bolt/Latch Chassis and Strike
  - Position bottom bolt/latch template on interior door surface by aligning the vertical reference line at the indicated dimension from the floor and mark the three (3) bottom latch chassis mounting holes on the door and two (2) holes on the floor for the strike.
  - Drill all bottom bolt/latch chassis mounting holes as per supplied template instructions.
  - Drill or drill and tap the floor for the bottom latch strike mounting screws. Supplied screws for bottom latch strike are for wood floor or metal door sill. If strike is concrete floor mounted, use appropriate screws/bolts (not supplied).

**b. Install Exit Device**

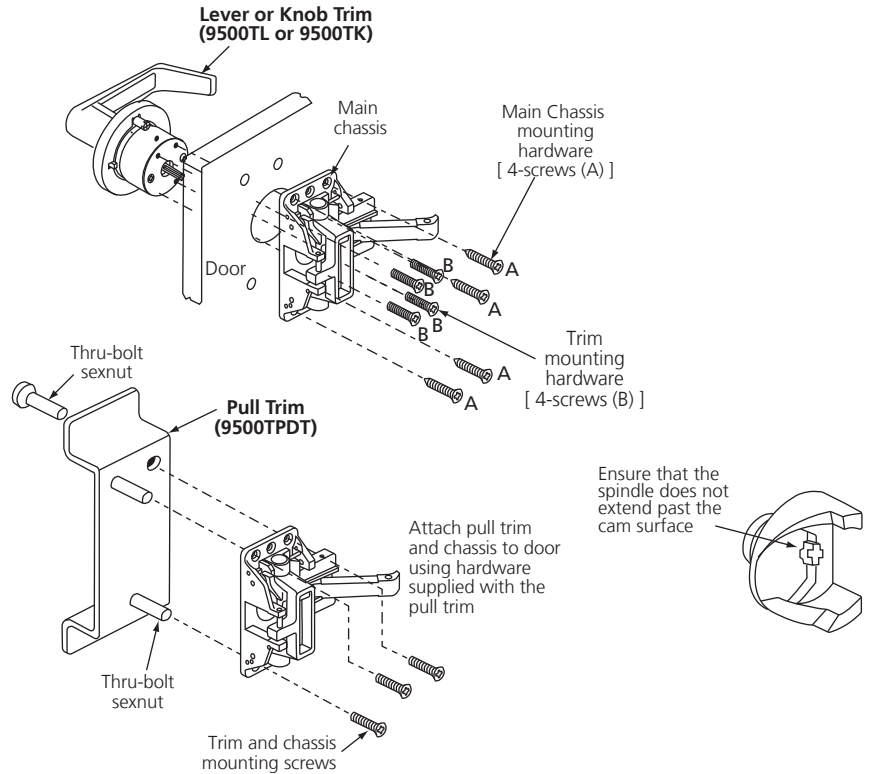
- If no trim is used, install main chassis using four (4) wood/sheet-metal screws or drill and tap for #10-24 UNC if door is properly reinforced. Mounting with thru-bolt (sexnut & machine screw) is optional, not supplied.
- Level rail assembly and attach the rail mounting bracket to door using three (3) wood/sheet-metal screws or drill and tap for #10-24 UNC if door is properly reinforced and prepped. Use bracket as template.
- If trim is used refer to section 4.



**4. INSTALL TRIM**

- Refer to applicable trim template and installation instructions: drill/bore holes on door as per trim installation instructions.
- Use mounting hardware supplied with the exit device and with applicable trim.
- Do not over-torque trim mounting screws, and ensure door surface is not bowed-in. **CAUTION:** Over-torquing may cause exit device to jam.
- Verify that the trim operation retracts the exit device latch.

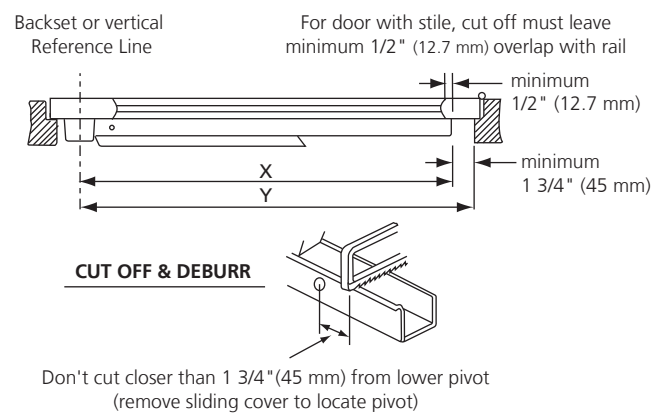
**TYPICAL TRIM INSTALLATIONS**



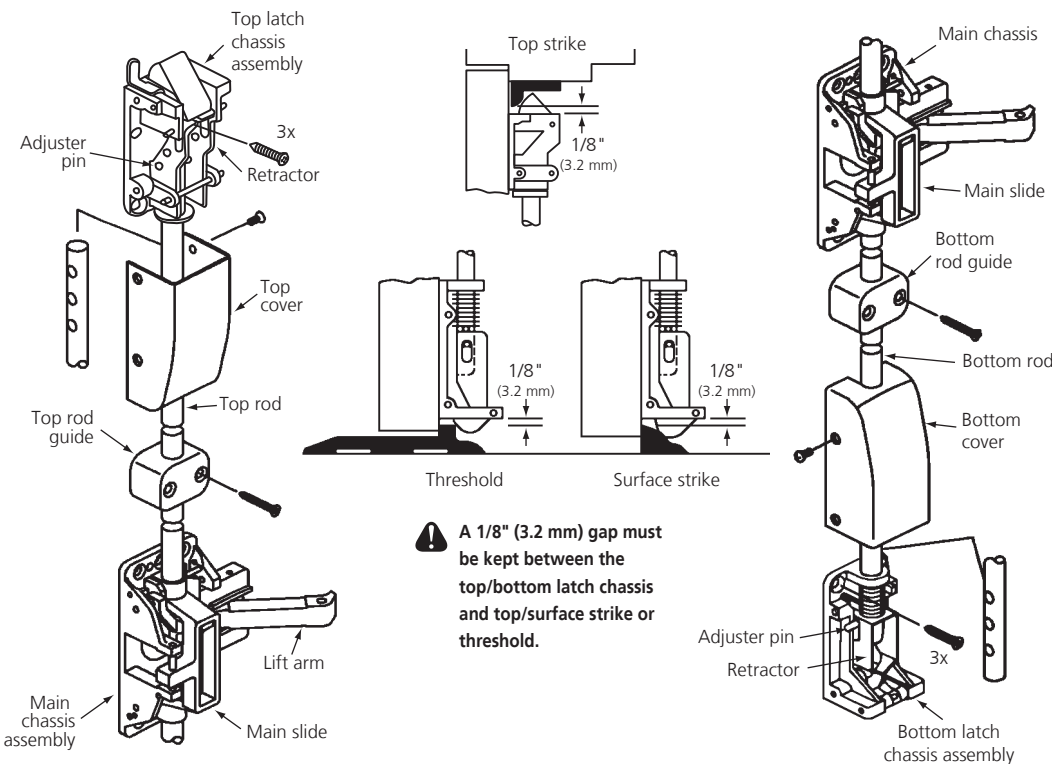
For escutcheon trim (9500TE) installations, refer to the template and installation instructions supplied with the applicable trim.

**5. MODIFY RAIL**

- Confirm length of device and determine if rail cutting is required.
- Determine length 'X' by subtracting 1 3/4" (45 mm) from 'Y'. Mark cut-off point on rail and sliding cover and cut-off.
- Deburr and remove all sharp edges after cutting and install as per section 2.



**3. INSTALL TOP & BOTTOM CHASSIS AND STRIKES**



- Mount top latch chassis on door using three (3) wood/sheet-metal or machine screws.
- Mount top latch strike at location determined in section 2, secure with two (2) wood/sheet-metal or machine screws.
- Screw top rod (longer rod) into main slide (see above left illustration).
- Slide guide onto top rod and insert rod into top latch chassis, insert adjuster pin through retractor and middle hole in rod. Use the appropriate hole in rod to ensure proper latch engagement with strike. Adjust strike position as required then fasten screws. If shorter rod is required cut rod to required length and drill 1/8" (3.2 mm) dia. hole through the rod.
- Ensure top latch engages and operates properly with strike, adjust position if required.
- Mount bottom latch chassis in same manner as top chassis (see above right illustration).
- Repeat steps 3 and 4 to install the bottom rod into the bottom latch chassis.
- Install bottom latch strike on the floor, refer to illustration above, instructions in Section 2 and on bottom latch template.
- Verify that bottom latch engages properly with strike on the floor.
- Fasten rod guides at mid-length of rods. Pre-drill 1/8" (3 mm) holes for wood screws, or drill & tap for # 10-24 UNC machine screws.

**6. INSTALL COVERS**

- Attach the main chassis cover to the main chassis using supplied machine screws.
- Attach the rail end cap to the rail mounting bracket using supplied machine screws.
- Attach the top and bottom latch chassis covers using supplied machine screws.
- If required, fill existing frame strike location on door frame with the strike filler plate using supplied mounting screws.
- If required, fill existing latch faceplate location on door edge with the latch filler plate using supplied mounting screws.

