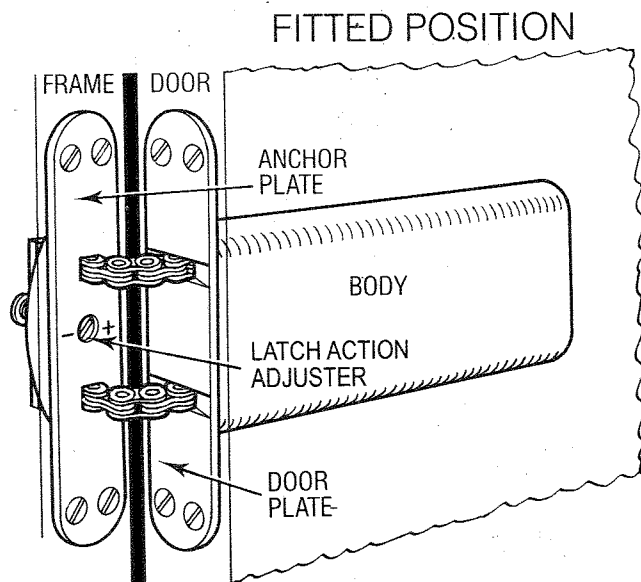




HIDE-DRAULIC DOOR CLOSER FIXING INSTRUCTIONS



The Perkomatic is a concealed hydraulic door closer for use on internal doors weighing up to 75kg.

It is not recommended for use on doors fitted with parliament, projecting or rising butt hinges, due to the chain length being restricted to 1 3/4".

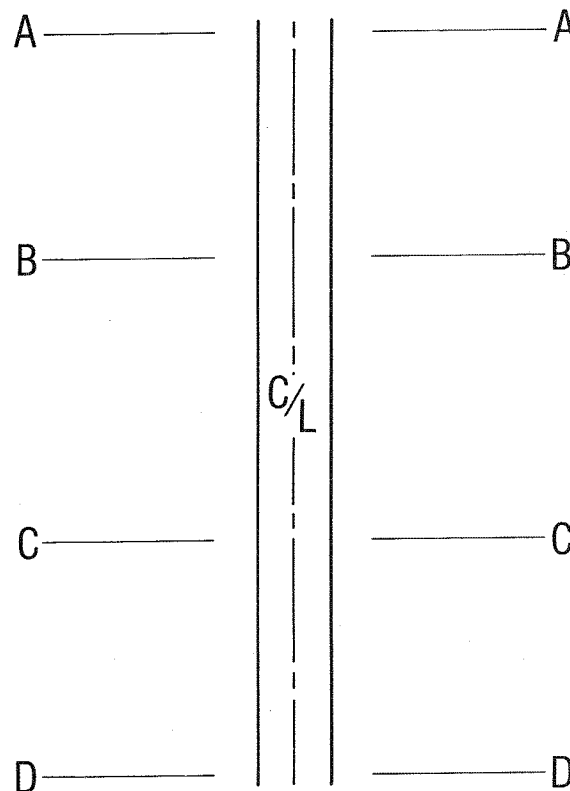
The door may be restrained with a stop so as not to exceed the 1 3/4" chain length maximum (see section 2).

A D.B.B. morticer is suggested for large scale contract work.

Restricted ventilation or the fitting of door seals can affect the performance of the Perkomatic as with other closers.



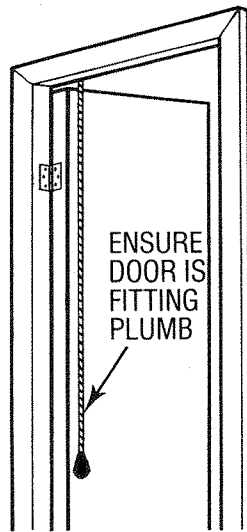
TEMPLATE



TEAR ALONG DOTTED LINE

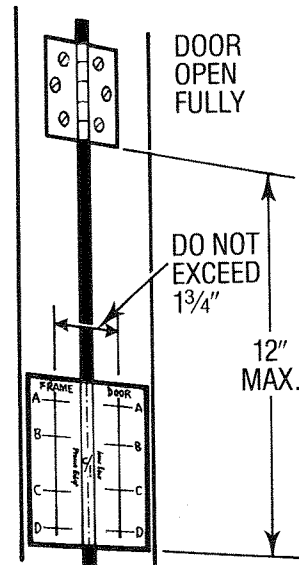
(SEE REFERENCE 2)

1 PREPARATION



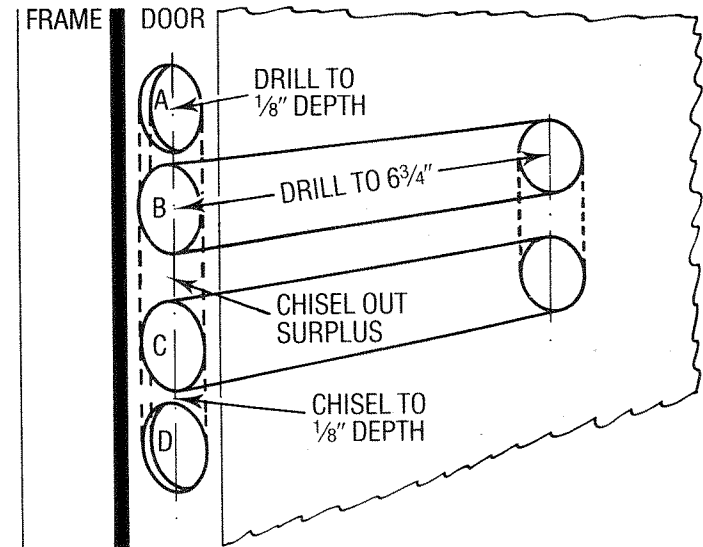
BEFORE fixing a Perkomatic, check with a plumb-bob/spirit level to see that the door is hung plumb. The unique push-through facility of the Perkomatic, which allows the door to be closed without resistance, necessitates that the door should be plumb and should not swing of its own accord. Realign door if necessary. The hinges on the door should be free-running with no frictional resistance.

2 USE OF TEMPLATE



Open door fully. Choosing a position within 12" of any hinge, pin template to the door edge and frame, ensuring the central dotted line is central in the gap between the door and frame. Draw vertical lines equidistant from the central dotted line on both door and frame sides. **(The MAXIMUM distance between these vertical lines, to facilitate 180° opening is 1 3/4")** Where they cross horizontal lines A, B, C, & D, mark through template into door edge and frame to establish drilling points.

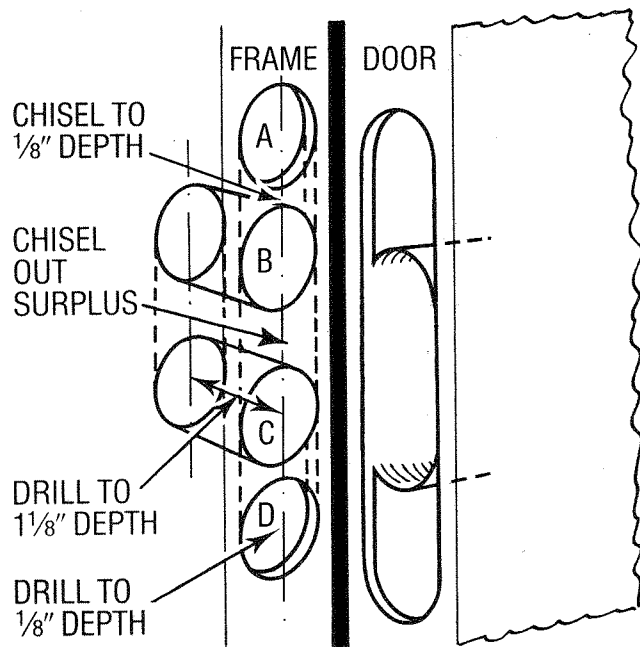
3 DOOR DRILLING & CHISELLING



Remove template. It will now be necessary to drill the door. If there is not sufficient room to apply the drill squarely, remove the door from its hinges.

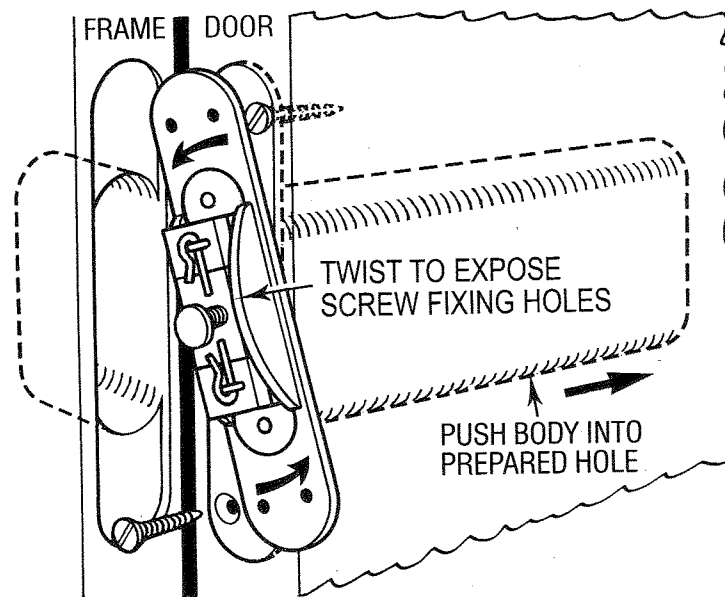
Using a 1" bit, bore holes A & D first to a maximum depth of 1/8". Holes B & C should then be bored to a depth of 6 3/4". Surplus wood should be removed by chisel to allow the body of the Perkomatic to be easily inserted, & brass door plate to rebate into door edge.

4 DOOR FRAME DRILLING & CHISELLING



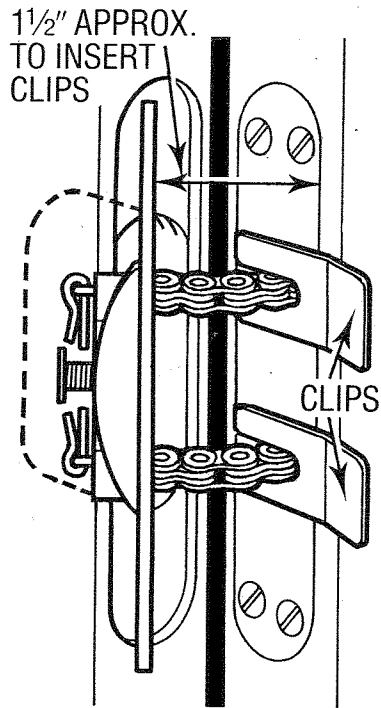
Using similar methods to door, bore holes A & D first to a depth of 1/8". Holes B & C should then be bored to a depth of 1 1/8". Surplus wood should be removed by chisel to allow the adjuster assembly to be easily inserted & anchor plate to rebate into frame.

5 FITTING THE BODY TO DOOR



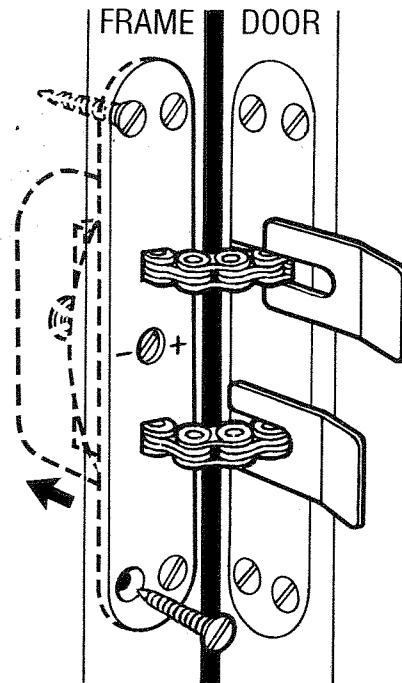
The main body of the Perkomatic may now be fitted into the door. When the body is inserted, twist the anchor plate to expose screw holes in door plate. Fix using 4 screws. If removed for ease of drilling, the door may now be rehung making sure it is plumb as Fig. 1. The use of intumescent mastic is referred to in our fire test reports, which are available upon request.

6 EXPOSE CHAINS



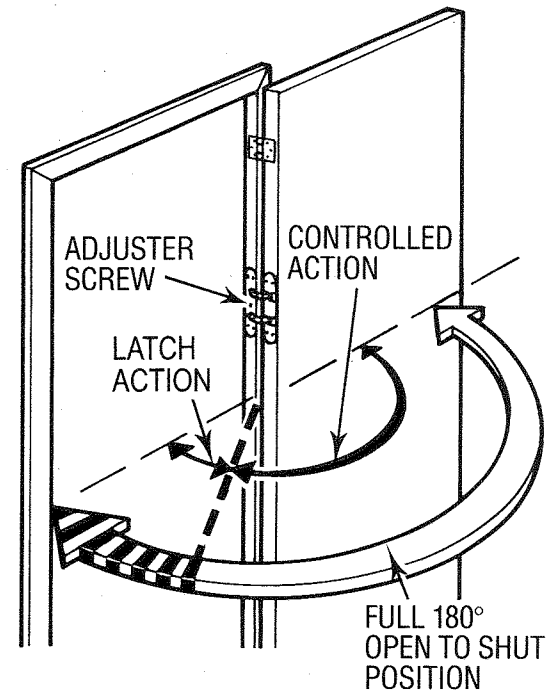
Prise plates apart (using claw hammer) to expose chains. Insert clips top & bottom, progressively increasing gap between plates to 1 1/2" maximum. The clips prevent the chains from retracting & thus assist in fixing the Anchor Plate Assembly. (Fig. 7).

7 FITTING ANCHOR PLATE TO FRAME



The anchor plate assembly may now be fitted into recess and fixed using 4 screws. Remove clips.

8 LATCH ACTION & ADJUSTMENT



1. The adjuster screw in the centre of the brass anchor plate in the door frame (jamb) should be turned fully ANTI-CLOCKWISE.
2. Open the door to its maximum and then close it quickly overriding the door closer, which will now offer a silent action if the adjuster screw has been turned fully anti-clockwise.
3. It is vital that the door latches and to ensure this the adjuster screw should be turned clockwise only a 1/4 turn at a time. After each 1/4 turn try the door from its maximum opening to see when sufficient latching has been achieved with the minimum of noise if overridden.



The Perkomatic is protected by the following patents in addition to those shown on the brass end plates.

Country

| | |
|---------------------|----------|
| AUSTRALIA | 586039 |
| CANADA | 1333182 |
| DENMARK | 160896 |
| HONG KONG | 0901015 |
| IRELAND | 57389 |
| NEW ZEALAND | 217541 |
| SOUTH AFRICA | 86/6961 |
| SPAIN | 2001680 |
| USA | 500 2165 |
| AUSTRIA | 0235233 |
| BELGIUM | 0235233 |
| FRANCE | 0235233 |
| GERMANY | 0235233 |
| ITALY | 0235233 |
| LUXEMBURG | 0235233 |
| NETHERLANDS | 0235233 |
| SWEDEN | 0235233 |
| SWITZERLAND | 0235233 |
| GREECE | 862326 |
| KOREA (Republic of) | 083129 |

SAMUEL HEATH & SONS PLC

Leopold Street, Birmingham B12 0UJ, England

Tel: 0121 772 2303 Fax: 0121 772 3334

e-mail: info@samuel-heath.com

www.samuel-heath.com