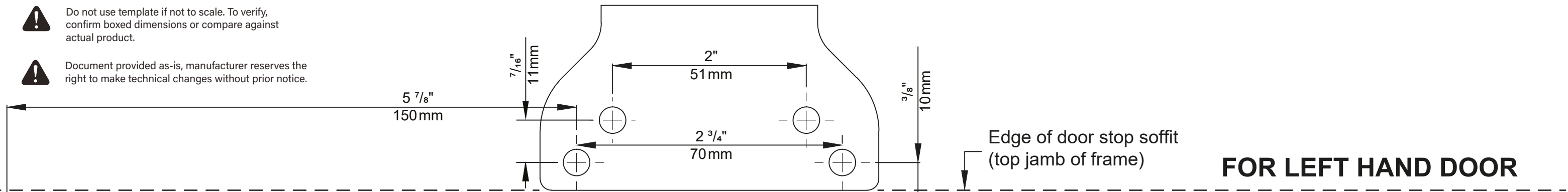


INSTALLATION INSTRUCTIONS FOR PARALLEL HOA1900 HOLD-OPEN ARM (PUSH SIDE) MOUNTING

! Do not use template if not to scale. To verify, confirm boxed dimensions or compare against actual product.

! Document provided as-is, manufacturer reserves the right to make technical changes without prior notice.



FOR LEFT HAND DOOR

■ BRACKET INSTALLATION

Install the bracket of adjusting arm above as shown in the diagram below.

■ ARM INSTALLATION

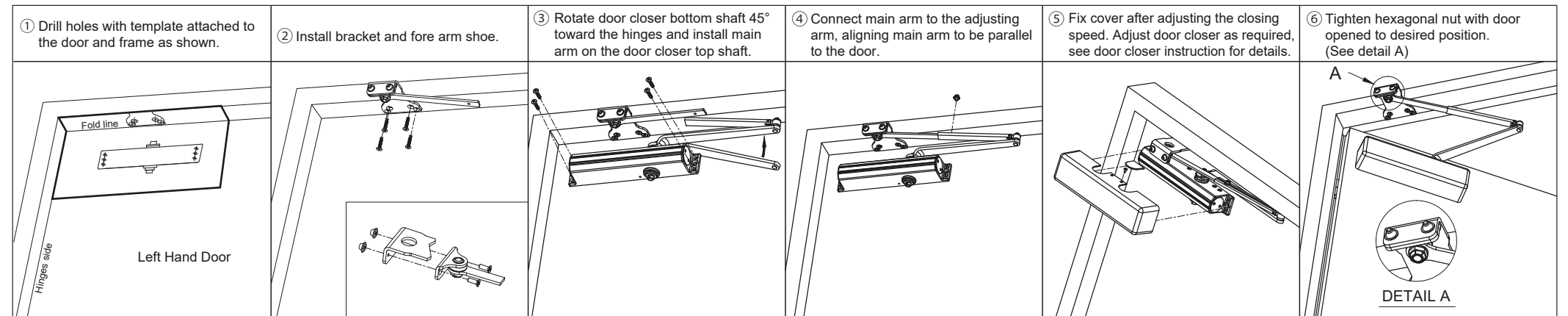
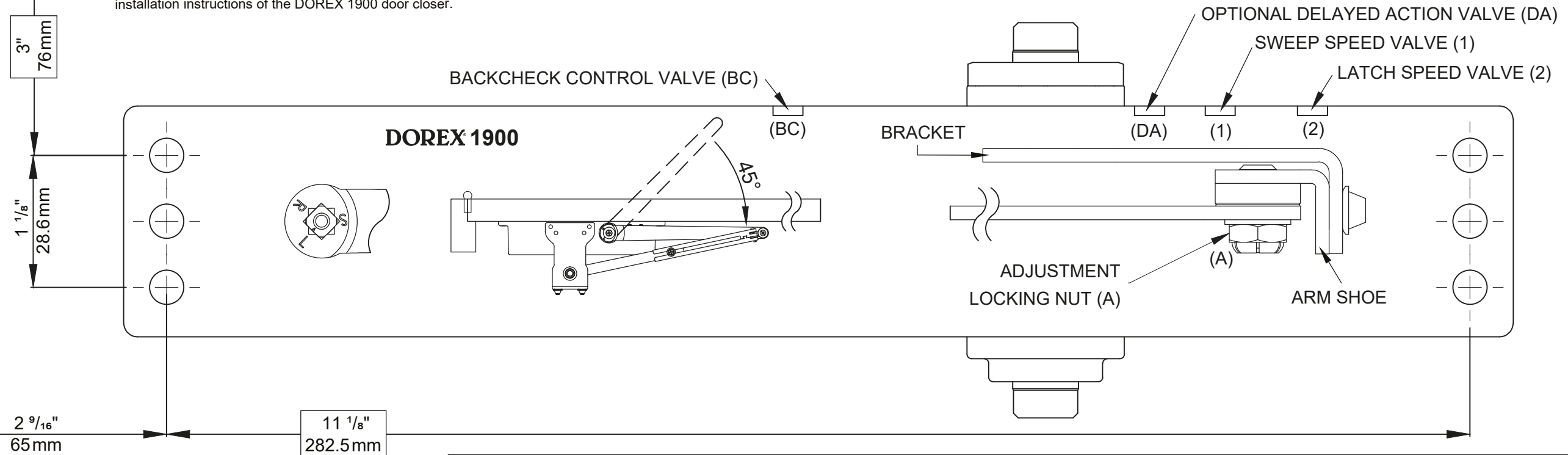
When installing the HOA1900 arm to the parallel arm bracket, ensure the locking nut (A) is facing downwards as shown in the diagram below. For detailed door closer installation instructions, please refer to the Parallel Arm installation instructions of the DOEX 1900 door closer.

■ DOOR CLOSER ADJUSTMENT

For instructions on how to adjust the door closer SWEEP and LATCHING speeds, SPRING POWER or the optional BACKCHECK intensity or DELAYED-ACTION please refer to the DOEX 1900 door closer installation instructions.

■ HOLD OPEN ADJUSTMENT

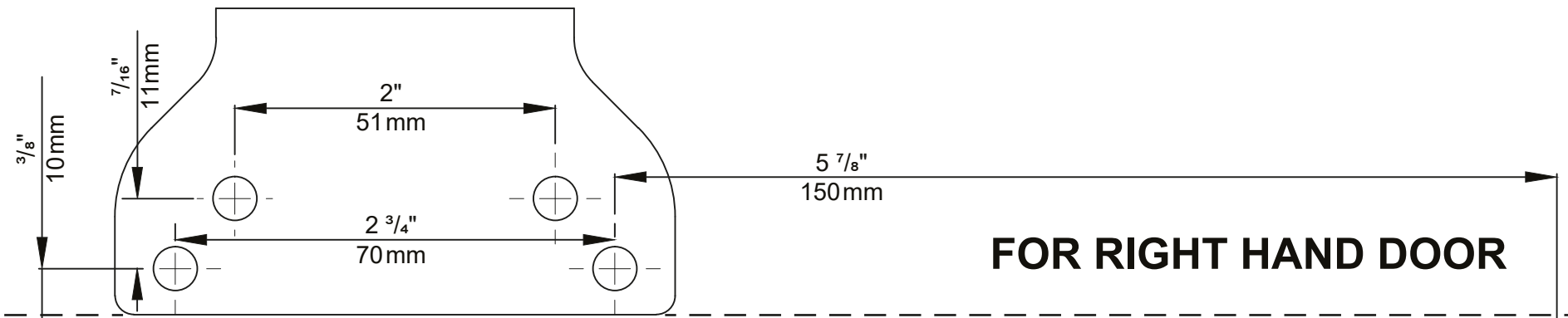
Open door to desired angle within the full door range. Then tighten the locking nut, the door will hold that position when pushed to it. Pull firmly on the door to release.



INSTALLATION INSTRUCTIONS FOR PARALLEL HOA1900 HOLD-OPEN ARM (PUSH SIDE) MOUNTING

! Do not use template if not to scale. To verify, confirm boxed dimensions or compare against actual product.

! Document provided as-is, manufacturer reserves the right to make technical changes without prior notice.



FOR RIGHT HAND DOOR

Edge of door stop soffit
(top jamb of frame)

Fold line

■ BRACKET INSTALLATION

Install the bracket of adjusting arm above as shown in the diagram below.

■ ARM INSTALLATION

When installing the HOA1900 arm to the parallel arm bracket, ensure the locking nut (A) is facing upwards as shown in the diagram below. For detailed door closer installation instructions, please refer to the Parallel Arm installation instructions of the DOREX 1900 door closer.

■ DOOR CLOSER ADJUSTMENT

For instructions on how to adjust the door closer SWEEP and LATCHING speeds, SPRING POWER or the optional BACKCHECK intensity or DELAYED-ACTION please refer to the DOEX 1900 door closer installation instructions.

■ HOLD OPEN ADJUSTMENT

Open door to desired angle within the full door range, then tighten the locking nut; the door will hold that position when pushed to it. Pull firmly on the door to release.

3"
76 mm

11 1/8"
282.5 mm

2 9/16"
65 mm

1 1/8"
28.6 mm

