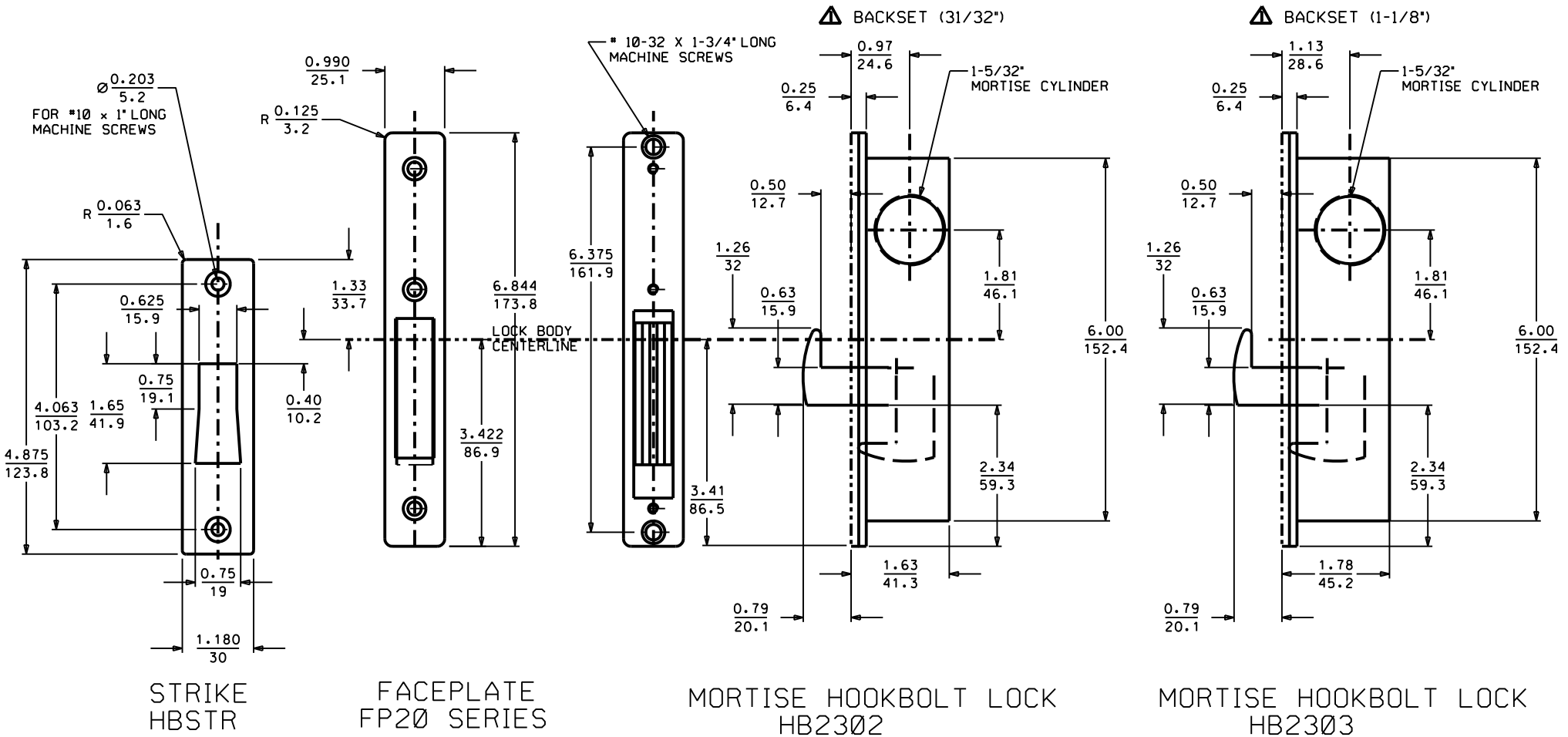


MORTISE HOOKBOLT LOCK CONFIGURATION



⚠ VERIFY REQUIRED BACKSET PRIOR TO DRILLING CYLINDER HOLE

CANAROPA 9 MAY 2012