



Perko concealed door closers have been closing doors in a wide variety of commercial, residential, and institutional buildings for over 30 years, establishing themselves as the preferred choice for specifiers and contractors.

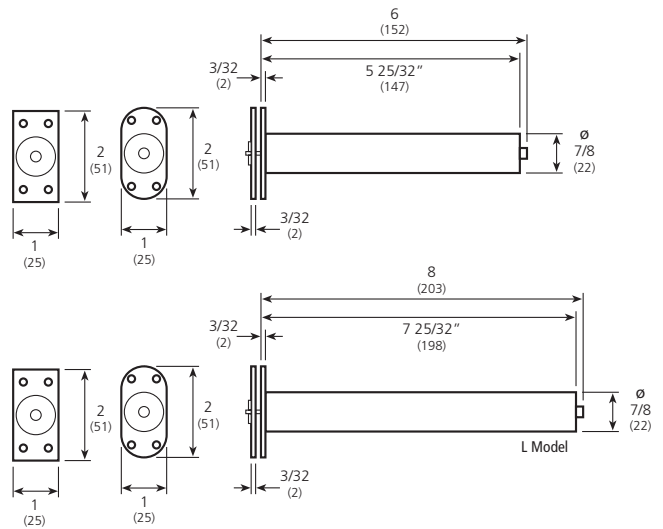
www.perkopower.com

PERKO

A.770

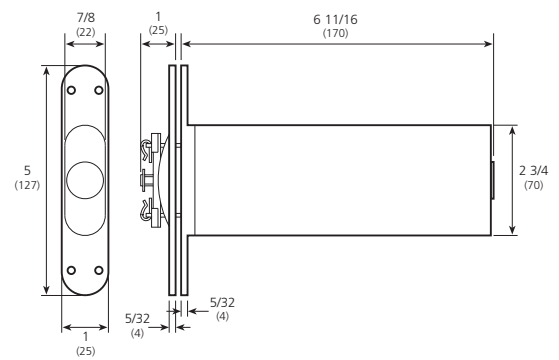


Perko



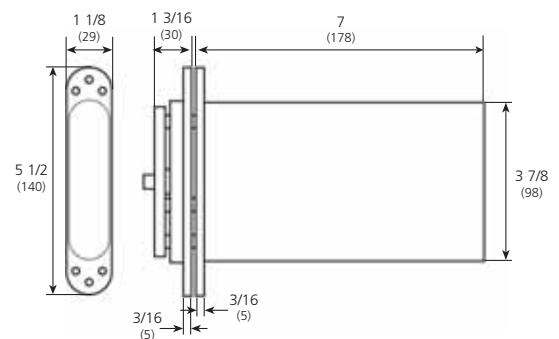
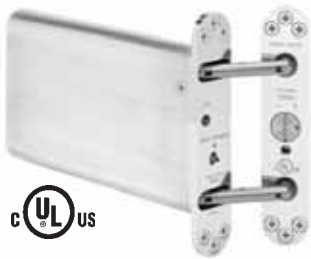
- Non-handed
- Solid brass anchor plates
- Adjustable spring mechanism
- For interior doors up to 100 lbs (50kg)
- Various finishes available upon special request

Perkomatic



- Non-handed
- Solid brass anchor plates
- Adjustable spring and hydraulic mechanism
- For interior doors up to 165 lbs (75kg)
- Various finishes available upon special request

Perkopower



- Fits 1 ¼ to 1 ¾" (31.8 to 44.5 mm) door thicknesses
- For doors up to 176lbs (80kg) in weight and 37 ½" (950mm) wide
- Conforms to ANSI 156.4 and ADA maximum opening force
- Conforms to power size 3 on controlled door closing device
- Suitable for latched and unlatched installations
- Adjustable closing speed and latching action
- Endurance tested to 500,000 closing cycles
- Unique twin power mechanism for extra closing force
- Various finishes available upon special request

see more at: www.perkopower.com

Dimensions unless specified otherwise are: Inches (Millimeters)

To locate a reseller or for product inquiries, please contact your nearest representative.

Montreal Toronto T. 514.636.6466 • F. 514.636.6454
T. 416.241.4445 • F. 416.241.1989

Calgary Vancouver T. 403.250.9333 • F. 403.250.1160
T. 604.279.2524 • F. 604.279.0577