



## SOLID BRASS PADLOCKS

### GUARDING THE WORLD FOR OVER 40 YEARS



#### 800 series - Solid brass padlock

- Solid brass body and cylinder
- Hardened steel chrome plated shackle
- Double locking shackle (except 831 & 832)
- Pick resistant mushroom pins
- Stainless steel springs
- Supplied with 2 keys

#### Options

- Models 834 and 834L are available with CORBIN (A), CISA (C) or GUARD (V) reverse, keyways
- Keyed different (KD) padlocks with standard shackle are available in visual packaging as KDC
- Unpinned (UP) padlocks can be used to create custom KD, KA and MK systems
- Engraving
- Parts and accessories, see p. 4

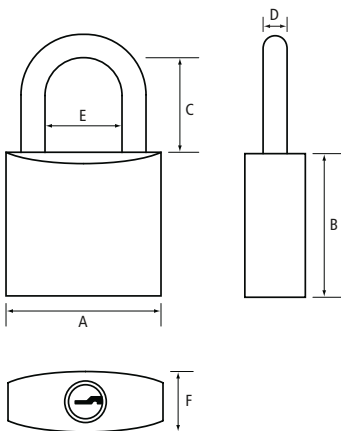
#### Keying options

KA - Keyed alike; multiple groups

MK - Master keyed

KD - Keyed different

UP - Unpinned



Model	Size	Pins	Case body dimensions* (A x B x F)	Shackle dimensions* Clearance (C x E) Diameter (D)	Keying options	Per carton weight (kg / lbs)	Per case weight (kg / lbs)
<b>Single locking shackle</b>							
831	20 (3/4")	3	19.4 x 20.0 x 10.9 (3/4" x 3/4" x 3/8")	11.5 x 9.6 (1/2" x 3/8")	3.2 (1/8")	KA, KD	12 ea (0.5 / 1.1)    576 ea (27.0 / 59.6)
832	25 (1")	4	25.1 x 24.3 x 11.9 (1" x 1" x 1/2")	14.2 x 12.6 (1/2" x 1/2")	4.0 (1/8")	KA, KD	12 ea (0.8 / 1.8)    324 ea (23.6 / 52.0)
<b>Double locking shackle</b>							
833	30 (1 1/4")	4	31.4 x 30.3 x 13.5 (1 1/4" x 1 1/4" x 1/2")	19.6 x 16.7 (3/4" x 5/8")	5.0 (1/4")	KA, KD, UP	12 ea (1.4 / 3.1)    216 ea (25.9 / 57.0)
834	40 (1 1/2")	5	37.7 x 36.5 x 15.2 (1 1/2" x 1 3/8" x 5/8")	22.5 x 19.5 (7/8" x 3/4")	6.4 (1/4")	KA, KD, MK, UP	12 ea (2.2 / 4.8)    96 ea (18.9 / 41.6)
834L	40 (1 1/2")	5	37.7 x 36.5 x 15.2 (1 1/2" x 1 3/8" x 5/8")	63.0 x 19.5 (2 1/2" x 3/4")	6.4 (1/4")	KA, KD, UP	6 ea (1.2 / 2.6)    96 ea (21.9 / 48.2)
835	45 (1 3/4")	5	43.9 x 41.4 x 17.0 (1 3/4" x 1 5/8" x 5/8")	26.5 x 22.5 (1" x 7/8")	7.9 (1/4")	KA, KD, UP	6 ea (1.6 / 3.5)    72 ea (20.8 / 45.8)
835L	45 (1 3/4")	5	43.9 x 41.4 x 17.0 (1 3/4" x 1 5/8" x 5/8")	63.0 x 22.5 (2 1/2" x 7/8")	7.9 (1/4")	KA, KD	6 ea (1.8 / 4.0)    72 ea (23.3 / 51.4)
836	50 (2")	5	50.3 x 45.6 x 18.5 (2" x 1 3/4" x 3/4")	28.0 x 25.4 (1 1/8" x 1")	9.5 (3/8")	KA, KD, MK, UP	6 ea (2.2 / 4.8)    72 ea (28.4 / 62.6)
836L	50 (2")	5	50.3 x 45.6 x 18.5 (2" x 1 3/4" x 3/4")	63.0 x 25.4 (2 1/2" x 1")	9.5 (3/8")	KA, KD	6 ea (2.3 / 5.0)    48 ea (21.7 / 47.8)

\* Measurements in mm (imperial measurements for reference only rounded off to 1/8")



LAMINATED PADLOCKS



MARINE & COMBINATION PADLOCKS

GUARDING THE WORLD FOR OVER 40 YEARS

700 series - Laminated

- Laminated steel plates
- Hardened steel shackle
- Double locking shackle (except 730)
- Pick resistant mushroom pins
- Stainless steel springs
- Supplied with 2 keys

Options

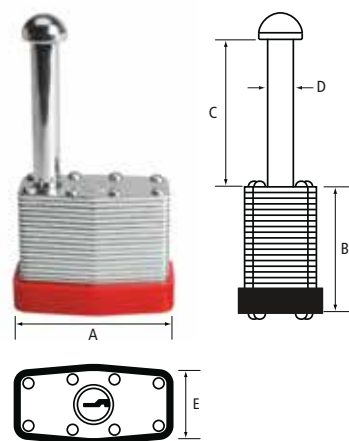
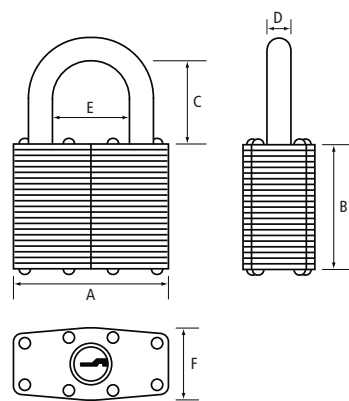
- Keyed different (KD) padlocks are available in visual packaging as KDC
- Parts and accessories, see p. 4

Keying options

KA - Keyed alike; multiple groups

KD - Keyed different

Model	Size	Pins	Case body dimensions* (A x B x F)	Shackle dimensions* Clearance (C x E) Diameter (D)	Keying options	Per carton weight (kg / lbs)	Per case weight (kg / lbs)	
<b>Single locking shackle</b>								
730	30 (1 1/4")	3	30.6 x 26.4 x 17.5 (1 1/4" x 1" x 3/4")	16.9 x 14.2 (5/8" x 1/2") 5.0 (1/4")	KA, KD	12 ea (1.3 / 2.9)	216 ea (25.3 / 55.8)	
<b>Double locking shackle</b>								
740	40 (1 1/2")	4	40.5 x 33.0 x 22.4 (1 5/8" x 1 1/4" x 7/8")	22.2 x 20.3 (7/8" x 3/4") 6.4 (1/4")	KA, KD	12 ea (2.7 / 5.9)	96 ea (22.8 / 50.0)	
744	45 (1 3/4")	5	43.8 x 34.5 x 23.6 (1 3/4" x 1 3/8" x 7/8")	24.3 x 19.8 (1" x 3/4") 7.9 (1/4")	KA, KD	12 ea (3.3 / 7.3)	96 ea (27.9 / 61.4)	
750	50 (2")	5	50.0 x 37.7 x 26.5 (2" x 1 1/2" x 1")	28.6 x 22.7 (1 1/8" x 7/8") 9.5 (3/8")	KA, KD	6 ea (2.4 / 5.3)	72 ea (30.2 / 66.4)	

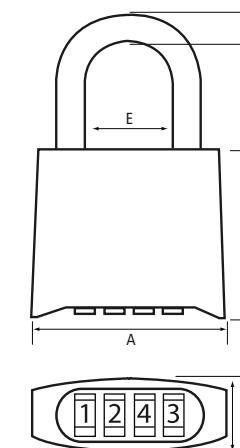
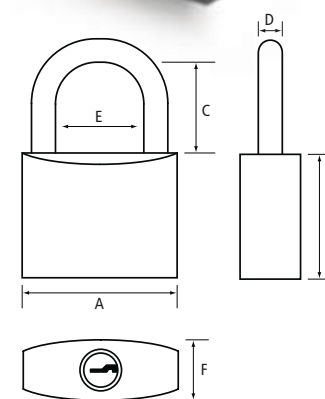


7443 model - Laminated utility

- Laminated steel plates
- Hardened steel shackle
- Pick resistant mushroom pins
- Stainless steel springs
- Supplied with 2 keys
- Many special security applications: snowmobiles, trailers, pumps, valves, handles, scaffold assemblies, vending machines and many more

Model	Size	Pins	Case body dimensions* (A x B x E)	Shackle dimensions* Clearance (C) Diameter (D)	Keying options	Per carton weight (kg / lbs)	Per case weight (kg / lbs)
<b>Single locking shackle</b>							
7443KD	45 (1 3/4")	5	43.8 x 34.5 x 23.6 (1 3/4" x 1 3/8" x 7/8")	43.0 (1 3/4") 7.9 (1/4")	KD	10 ea (2.8 / 6.2)	120 ea (33.6 / 74.4)

\* Measurements in mm (imperial measurements for reference only rounded off to 1/8")



GUARDING THE WORLD FOR OVER 40 YEARS

900 series - Marine

- Solid brass chrome plated body and cylinder
- Stainless steel shackle
- Double locking shackle
- Pick resistant chrome plated mushroom pins
- Stainless steel springs
- Supplied with 2 keys

Options

- Custom keyed systems (available by special order)
- Parts and accessories, see p. 4

Keying options

KA - Keyed alike  
KD - Keyed different

Model	Size	Pins	Case body dimensions* (A x B x F)	Shackle dimensions* Clearance (C x E) Diameter (D)	Keying options	Per carton weight (kg / lbs)	Per case weight (kg / lbs)	
<b>Double locking shackle</b>								
936	50 (2")	5	49.9 x 40.2 x 16.8 (2" x 1 5/8" x 5/8")	27.0 x 29.0 (1 1/8" x 1 1/8") 7.9 (1/4")	KA, KD	6 ea (1.8 / 4.0)	72 ea (22.6 / 49.8)	
936L	50 (2")	5	49.9 x 40.2 x 16.8 (2" x 1 5/8" x 5/8")	88.0 x 29.0 (3 1/2" x 1 1/8") 7.9 (1/4")	KA, KD	6 ea (2.1 / 4.6)	48 ea (17.6 / 38.8)	

\* Measurements in mm (imperial measurements for reference only rounded off to 1/8")

1243 series - Resettable Combination Padlock

- For indoor or outdoor use
- Solid zinc die-cast body
- Heavy-duty double locking case-hardened steel shackle
- 4 brass digit dials
- Set and change combination as often as you like, 10 000 possible combinations
- Finish: chrome plated
- Visual packaging

Model	Size	Case body dimensions* (A x B x F)	Shackle dimensions* Clearance (C x E) Diameter (D)	Per carton weight (kg / lbs)	Per case weight (kg / lbs)
<b>Double locking shackle</b>					
1243	45 (1 3/4")	48.7 x 44.1 x 26.5 (1 29/32" x 1 3/4" x 1 1/32")	25.5 x 24.4 (1" x 31/32") 8.0 (5/16")	4 ea (1.1 / 2.4)	48 ea (14.9 / 32.8)

\* Measurements in mm (imperial measurements for reference only rounded off to 1/8")