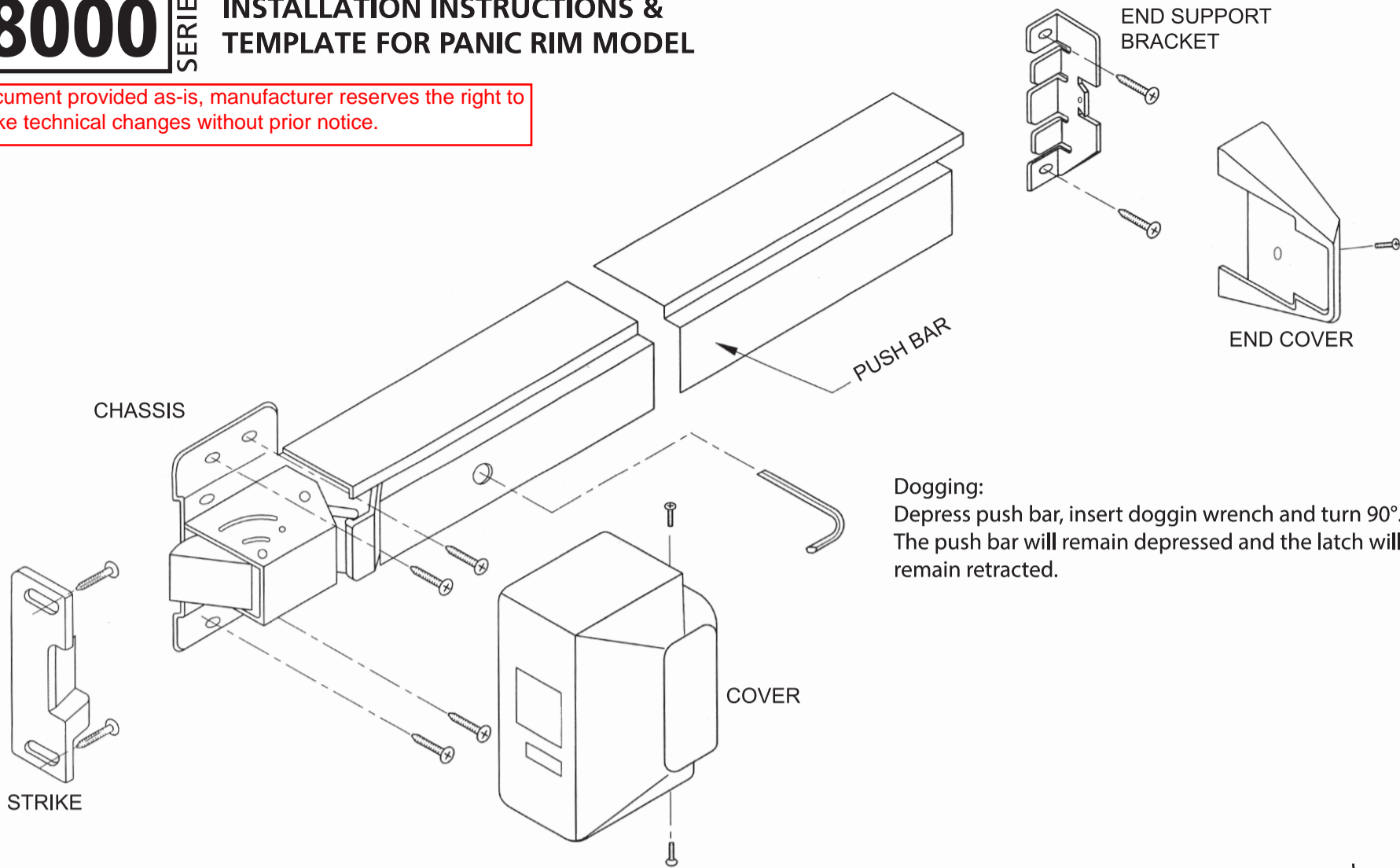


8000 SERIES INSTALLATION INSTRUCTIONS & TEMPLATE FOR PANIC RIM MODEL

Document provided as-is, manufacturer reserves the right to make technical changes without prior notice.



Dogging:
Depress push bar, insert doggin wrench and turn 90°. The push bar will remain depressed and the latch will remain retracted.

