

DOREX 1100 SERIES

CROSSBAR EXIT DEVICES

DOREX

The Dorex 1100 series exit device offers a sleek traditional crossbar design for narrow stile doors. This exit device may also be used for moderate traffic on medium and wide stile aluminum door applications. Dorex brand products are recognized for value while delivering leading edge technology.



- Crossbar Type:
 - » Rim (handed)
 - » Concealed vertical (non-handed)
- Field sizable
- Zinc alloy latch bolt with 1/2" (12.7mm) throw
- Stainless steel springs
- Dogging by slotted key or outside cylinder
- UL listed for Panic Hardware
- 1 year limited warranty

1195 MODEL SHOWN. 1185 MODEL ALSO AVAILABLE

www.dorex.com



06.022

DOREX 1100 SERIES EXIT DEVICES

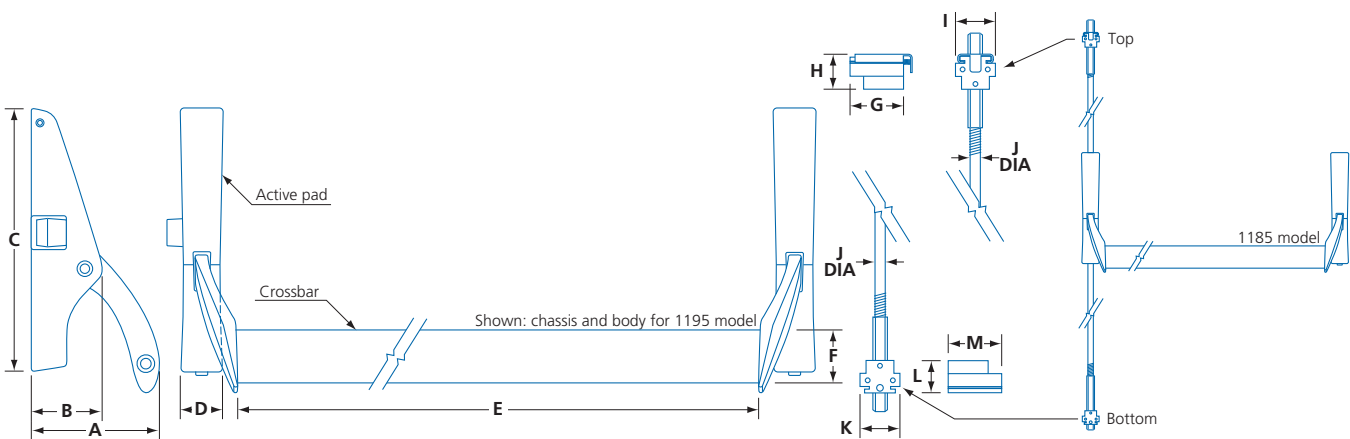
SPECIFICATION

Exit devices shall be Dorex 1100 series. Exit devices shall be crossbar type and UL listed for Panic Hardware. Exit devices shall be field sizeable for doors widths of 30" (762mm) to 36" (914mm) or 36" (914mm) to 48" (1219mm) with optional longer crossbar and project no more than 4 5/8" (118mm) from the door face. Rim exit devices shall be handed; have a 1/2" (12.7mm) throw latch bolt; have stainless steel springs. Vertical rod exit devices shall have concealed rods and be non-handed. Exit devices shall have contoured extruded aluminum crossbar; have dogging feature by slotted-key and by optional key cylinder from outside; be supplied with all the necessary mounting fasteners.

SELECTION GUIDE

MODEL NUMBER	DESCRIPTION	FINISH	PER CASE	WEIGHT LBS / KG
1185	Concealed vertical rod exit device with 36" (914mm) crossbar, non-handed; complete set	C20D, C28	6	44.8 / 20.4
1195	Rim type exit device with 36" (914mm) crossbar, handed (LHR or RHR); complete set			28.6 / 13.0

SIZE CHART



MODEL	A	B	C	D	E	F	G	H	I	J	K	L	M
1185 / 1195	4 5/8 (117)	2 (51)	7 3/8 (187)	1 1/4 (32)	36 - 48 (914 - 1220)	1 1/2 (38)	1 1/2 (38)	1 (25)	1 3/32 (28)	3/8 (9.5)	1 3/32 (28)	15/16 (24)	1 1/2 (38)

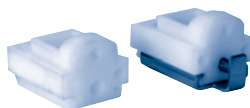
PARTS & ACCESSORIES

1170	Mounting pad for mortise cylinder with locking ring for model #1185	1195PAD	Active pad for model #1195
1185-36	36" (914mm) replacement crossbar, extruded aluminum	1195S	Strike for model #1195
1185-48	48" (1219mm) replacement crossbar, extruded aluminum	40-809	Lever extension spring for model #1185
1185G	Top and bottom vertical rod guides for model #1185	50-979	Dogging pins and slotted key for model #1195

1170



1185G



1195S



40-809



50-979

