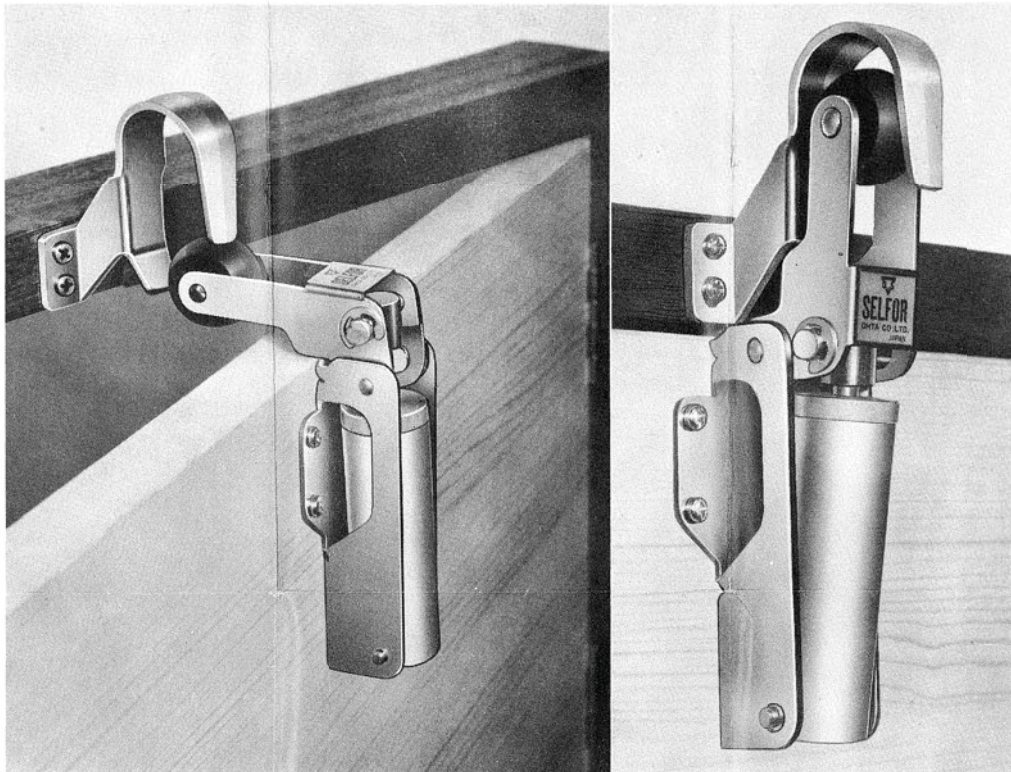


DOOR **SELFOR**

DOORCHECK INDOORS DIC-8000



SILENT!! It prevents from doorslamming, and operates tranquilly and silently.

SAFETY!! It brakes the door smoothly and comfortably on closing, and it protects your children from injuring their fingers.

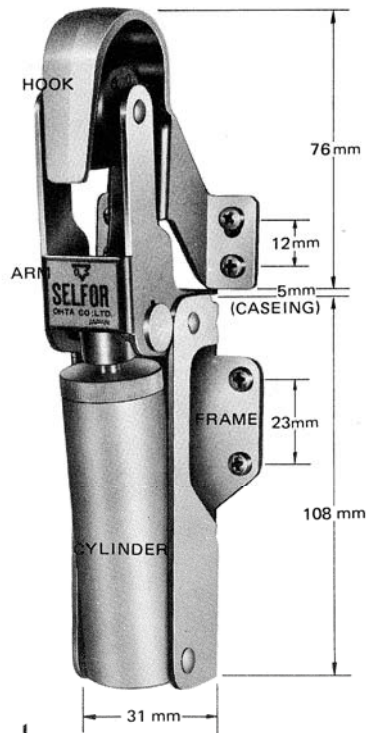
SIMPLE!! It is very easy and simple to fit on wooden doors and free from maintenance.

DOOR SELFOR has proved its durability by sever life test, and the sturdy construction works without breakage.

DOOR SELFOR keeps the door closed firmly without latch with the closing force of 4.5Kgs. Door can be left at any position after 10° opened.

DOOR SELFOR is suitable for room doors 20Kgs – 35Kgs, for hospitals, offices and homes.

Cylinder – Aluminum malleable, oil dashpot with spring.
Frame, Arm and Hook – Steel, bright chrome finish.

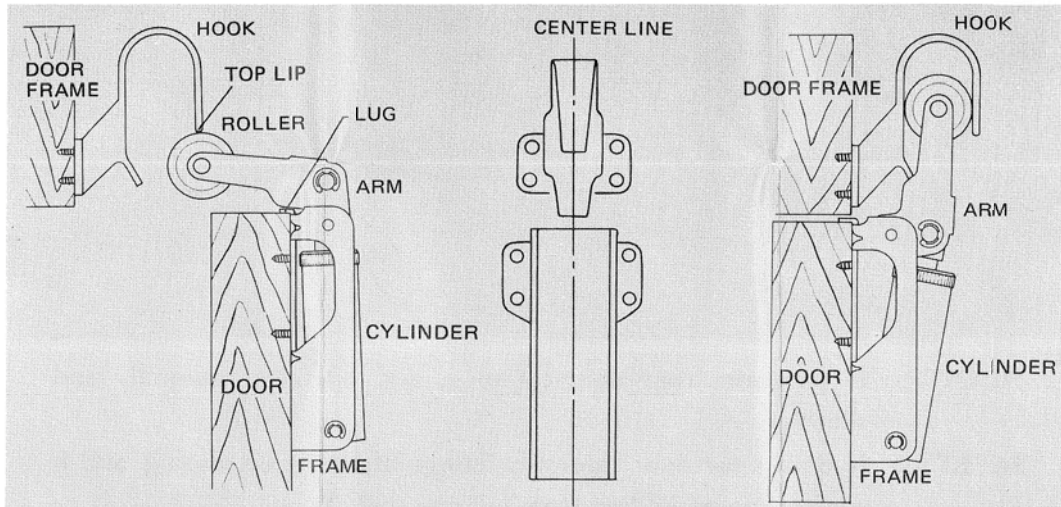


DOOR SELFOR

DOORCHECK INDOORS DIC-8000

INSTALLATION – DOOR SELFOR

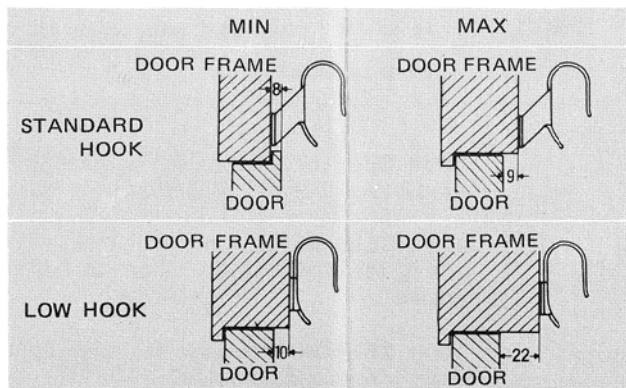
- 1) Support the lug of Frame on the center of the door top and fix the Casing (Frame, Arm and Cylinder) by 4 screws tightly.
- 2) Push the Arm forward, overlapping the door.
- 3) Fix the Hook to the door frame by 4 screws.
 - a) the Rubber Roller should pass just touching the top lip of the Hook when the door is closing.
 - b) the Hook must be on the same center line as the Casing when the door is closed.
 - c) To obtain the best check action, the Arm must incline – past the vertical – away from the door when the door is fully closed.



SELECT THE MOST SUITABLE HOOK AS FOLLOWS.

- * Standard Hook for flush doors.
- * Low Hook for recessed doors.

Remarks: Do not try to bend the Hook!



 OHTA CO., LTD. JAPAN.