



- Type** • Cylindrical lock
- Certifications**
 - Conforms to ANSI/BHMA A156.2, Series 4000, Grade 2
 - cULus listed, 3hr fire-rating
 - UL 10C Positive Pressure Rating
 - Meets ADA requirements
 - 10 Year limited warranty
- Door Thickness** • 1 $\frac{3}{8}$ –2" (35–51 mm)
- Handing** • Non handed
- Backset**
 - 2 $\frac{3}{4}$ " (70 mm)
 - 2 $\frac{3}{8}$ " (60 mm) – available
 - 3 $\frac{3}{4}$ " (95 mm) – available
 - 5" (127 mm) – available
- Spring Latch**
 - Stainless steel, $\frac{1}{2}$ " (12.7 mm) throw
 - Deadlatch, $\frac{3}{4}$ " (19 mm) throw – available
- Faceplate**
 - Mortise type, square corners
 - 1 $\frac{1}{8}$ x2 $\frac{1}{4}$ " (28.5x57 mm)
- Strike** • ASA Strike
- Trim**
 - Solid, pressure cast lever
 - Brass rose
 - Rose diameter: 3 $\frac{5}{16}$ " (84.5 mm)

- Chassis**
 - Concealed mounting plate and screws
 - Removable security posts
 - Lever clutch release – option*
- (*): For keyed functions, may require special order

- Preparation**
 - Cross bore: 2 $\frac{1}{8}$ " (54 mm)
 - Edge bore: 1" (25.4 mm)

- Cylinder**
 - Solid brass, 6-pin
 - Schlage "C" keyway, 2 keys
 - Removable, rekeyable
- Other keyways and keying options available, including CX5 high security

- | | | |
|------------------|------------------|--------------|
| Functions | 00 Dummy, single | 53 Entry |
| | 10 Passage | 70 Classroom |
| | 40 Privacy | 80 Storeroom |

- Lever Styles** F–The Flat; H–Standard return

- Finish** 15–Satin nickel, 19–Matte black, 26D–Satin chrome
- Other finishes available by special order

T2	F	53	–	26D	–	C
SERIES	STYLE	FUNCTION		FINISH		OPTION ¹

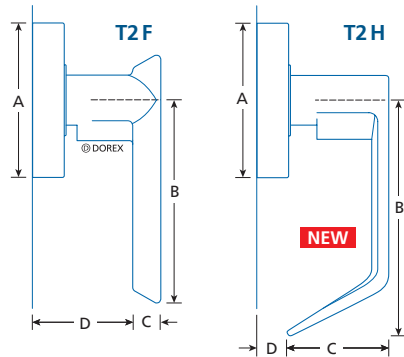
(1) C: CLUTCH RELEASE.

SELECTION GUIDE

SERIES	STYLE	FUNCTION ¹	FINISH ¹	/ CASE
T2	F, H	00 Dummy, single	15 ² , 19 ² , 26D	12
T2	F, H	10 Passage	15 ² , 19 ² , 26D	6
T2	F, H	40 Privacy, push button thumb-turn	15 ² , 19 ² , 26D	6
T2	F, H	53 Entry ↔	15 ² , 19 ² , 26D	6
T2	H	53-C Entry, with clutch release ↔	26D	6
T2	F, H	70 Classroom ↔	15 ² , 19 ² , 26D	6
T2	H	70-C Classroom, with clutch release ↔	26D	6
T2	F, H	80 Storeroom ↔	15 ² , 19 ² , 26D	6
T2	H	80-C Storeroom, with clutch release ↔	26D	6

(1) OTHER FINISHES AND FUNCTIONS AVAILABLE, MINIMUM ORDER QUANTITIES AND/OR ADDITIONAL DELIVERY TIMES MAY BE REQUIRED. (2) AVAILABLE FOR T2H BY SPECIAL ORDER.

↔ KEYED FUNCTION; FULL KEYING SERVICES AVAILABLE.



		A	B	C	D*
T2F	Ⓛ	3 5/16 (84.5)	4 7/32 (107)	5/8 (16.7)	2 (51.3)
T2H	Ⓛ	3 5/16 (84.5)	4 1/2 (114)	2 5/16 (58.7)	3/8 (9.5)

IN (MM)

(*) DIMENSION MAY VARY DUE TO DOOR THICKNESS.

PARTS & ACCESSORIES



9106

T-Strike, square corners:
1 1/8 x 2 3/4" (28.5 x 70 mm)

9106NH

T-Strike, no hole; square corners:
1 1/8 x 2 3/4" (28.5 x 70 mm)



ASA-T

ASA strike with adjustable tab

ASANH

ASA strike, no hole



TL020

Plastic spacer for latches with 1 x 2 1/4" (25.4 x 57 mm) faceplate to fit preparations for 1 1/8 x 2 1/4" (28.5 x 57 mm) faceplates



TL013

Backset extension to 3 3/4" (95 mm);
Use with 2 3/8" (60 mm) backset latch

TL014

Backset extension to 5" (127 mm);
Use with 2 3/4" (70 mm) backset latch



TL001

Passage latch: 2 3/8" (60 mm) backset,
1 x 2 1/4" (25.4 x 57 mm) faceplate

TL003

Passage latch: 2 3/4" (70 mm) backset,
1 1/8 x 2 1/4" (28.5 x 57 mm) faceplate

TL010

Privacy latch: 2 3/8" (60 mm) backset,
1 x 2 1/4" (25.4 x 57 mm) faceplate

TL002

Privacy latch: 2 3/4" (70 mm) backset,
1 1/8 x 2 1/4" (28.5 x 57 mm) faceplate



TL005

Deadlatch: 2 3/8" (60 mm) backset,
1 x 2 1/4" (25.4 x 57 mm) faceplate

TL004

Deadlatch: 2 3/4" (70 mm) backset,
1 1/8 x 2 1/4" (28.5 x 57 mm) faceplate

TL006

Deadlatch: 5" (127 mm) backset,
1 1/8 x 2 1/4" (28.5 x 57 mm) faceplate



GX1DL234-34

Deadlatch: 2 3/4" (70 mm) backset, 3/4" (19 mm) throw, 1 1/8 x 2 1/4" (28.5 x 57 mm) faceplate
For use in double door or electric strike applications

