

# TLA42I\*

LI-70

## INSTALLATION INSTRUCTIONS SINGLE SIDED INDICATOR DEADBOLT

LI-70

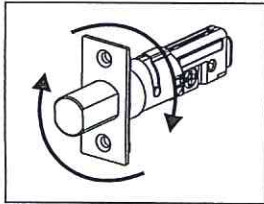
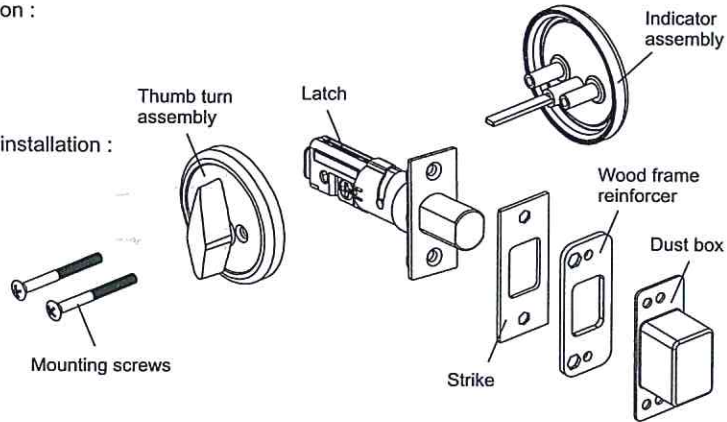
For use on doors 1-3/8" to 1-3/4" (35~45mm) thick

Tools required for new installation :

- Phillips head screwdriver
- 2-1/8" (54mm) hole saw
- 1" (25.4mm) drill bit
- Chisel

Tools required for replacement installation :

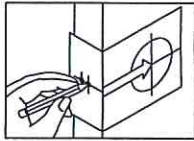
- Phillips head screw driver



### Backset Adjustment

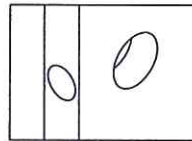
To change deadbolt to 2-3/8" (60mm) backset, rotate faceplate 1/2 turn.

### 1. MARK DOOR



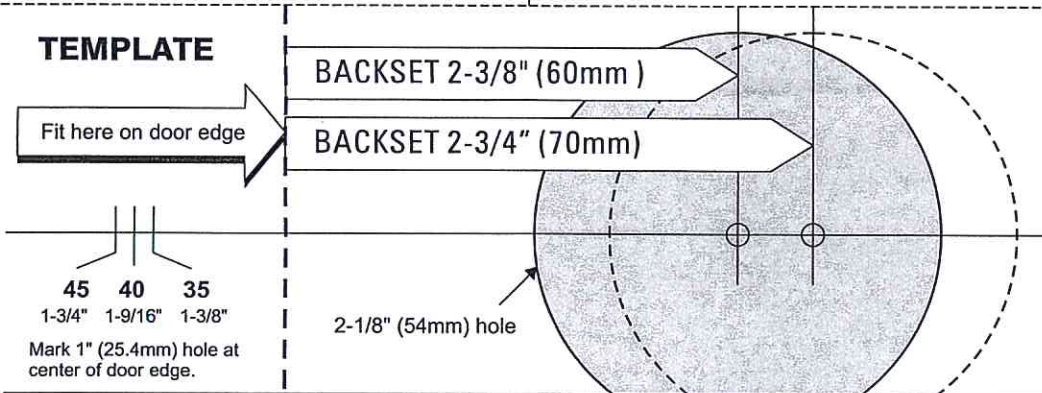
Select 2-3/8" or 2-3/4" (60mm or 70mm) backset as desired and mark center of hole on door face.

### 2. DRILL HOLES



- Drill 2-1/8" (54mm) hole through door face, from both sides to avoid wood splitting.
- Drill 1" (25.4mm) hole for latch.

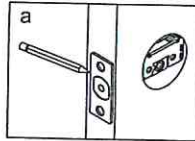
### TEMPLATE



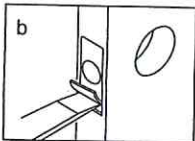
LI-70

LI-70

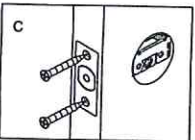
**3. INSTALL LATCH**



a. Insert latch in hole and keep it parallel to door face. Mark outline of face plate and remove latch.

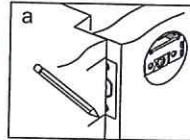


b. Chisel 5/32" (4mm) deep or until face plate flush with door edge.

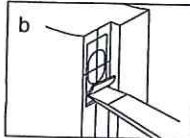


c. Insert latch and tighten screw.

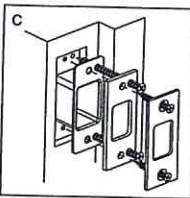
**4. INSTALL STRIKE**



a. Close door to mark horizontal center line of strike.



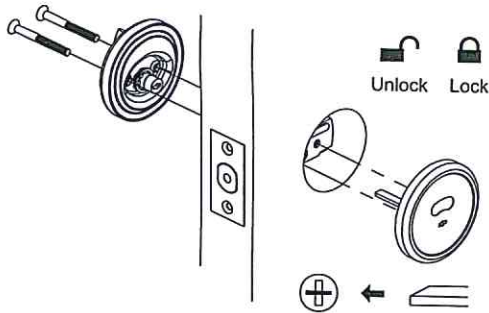
b. Measure one half of door thickness from door stop and vertically mark center line of strike. Drill aperture which is same with strike box 1-9/64" (29mm) deep at inter section of horizontal and vertical center line of strike.



Match screw hole on strike with center lines on jamb. Mark outline and chisel 9/32" (7mm) deep for strike.

c. Insert latch and tighten screw.

**5. INSTALL THUMBTURN ASSEMBLY AND BLANK PLATE**



Insert torque blade horizontally into deadbolt latch. Crank until indicator assy is flush with the door face. Mate the thumbturn assembly with the torque blade on the indicator assembly.

Insert the screws thru the holes of the thumbturn assembly and latch body.

Tighten the screws to the threaded posts of the blank mounting plate.

Tighten the assembly so the complete assembly is tight to the door.