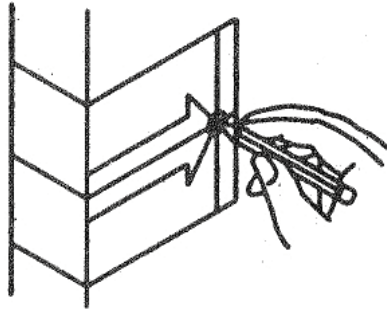


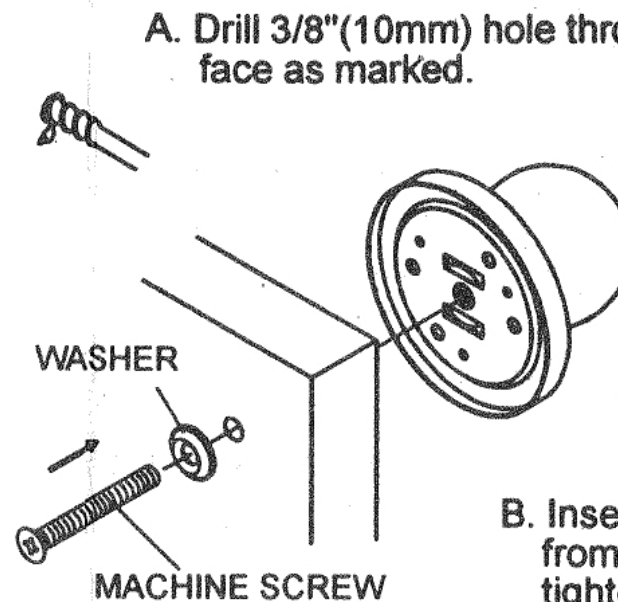
INSTALLATION INSTRUCTIONS DUMMY KNOB (TYPE 75)

1. MARK DOOR



Start approximately 38" (965mm) from floor. Fold and apply template to high edge of door bevel and mark center hole on door face through guide on template for 2-3/8" (60mm) or 2-3/4" (70mm) backset.

2. INSTALL KNOB

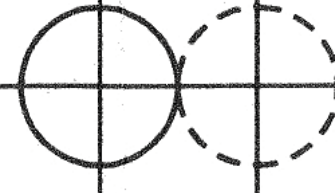


Fit here on
door edge

Backset 60mm (2-3/8")

Backset 70mm (2-3/4")

Make 3/8" (10mm)
hole according to
size of each backset



MADE IN TAIWAN